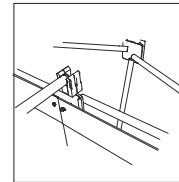
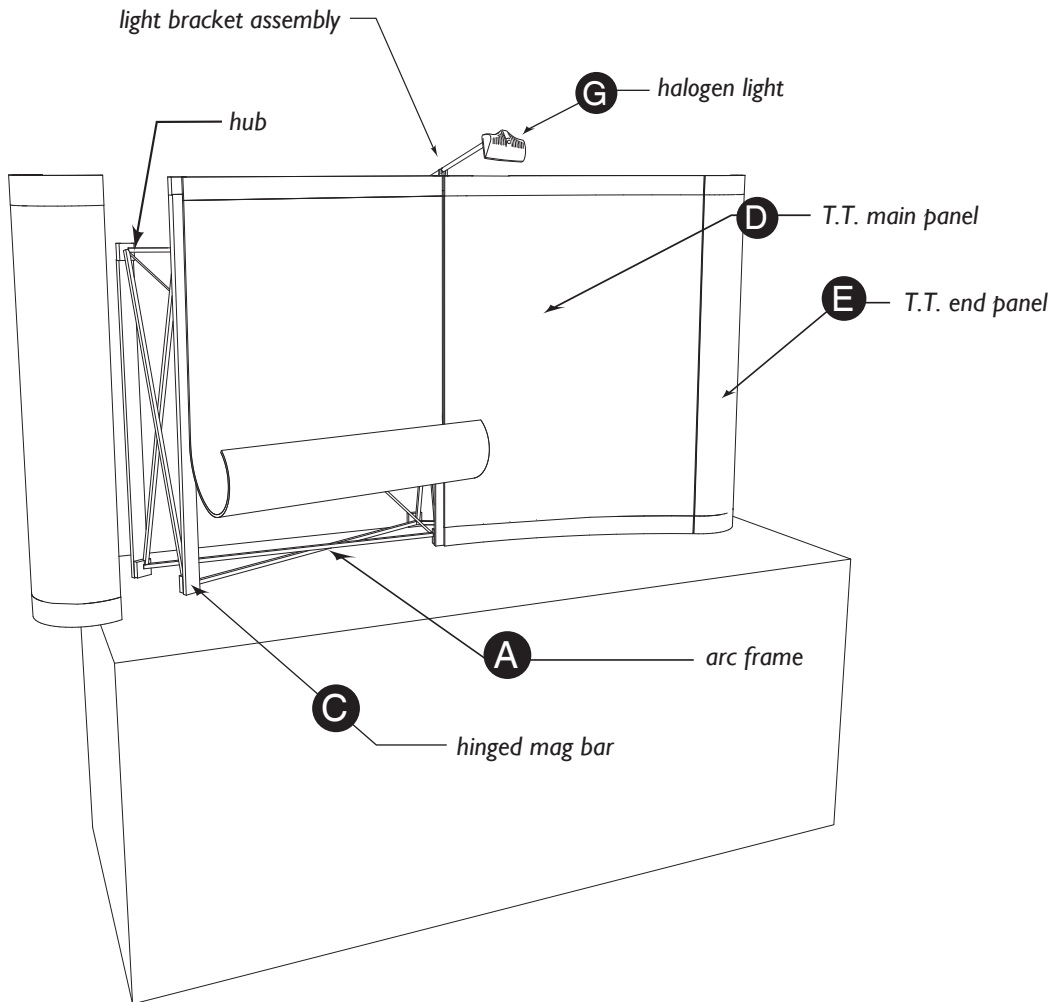
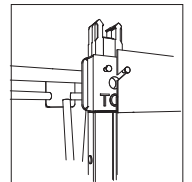


1. Place frame on table with the light bracket assembly (LBA) on top.
2. Snap light into LBA (detail 1).
3. Grasp the top of the frame (do not lift frame by lighting) with both hands and extend framework until you are able to reach the two middle center hubs. Push them towards each other until framework is extended to full height.
4. Unfold the hinged mag bars and snap it onto the frame hub. The mag bar will extend above the frame to create 36" (approximately) height.
5. Remove fabric/graphic panels from case and locate hooks on upper corners. Hang hooks on the frame over the silver metal rivets on the light brackets (detail 2). Hang the panels on the rivets starting with one of the main panels.
6. Hang the two end panels the same way; one side attaches to a hanging metal rivet on the front side of the display, and the other side attaches to the back metal hanging rivet to form the curve.



Detail 1



Detail 2

INCLUDES

- A** 1-arc frame
- B** 1- sail bag
- C** 5- hinged mag bars
- D** 2 -T.T main panels
- E** 2 -T.T.- 1 piece end panels
- F** 1 - small wheeled case
- G** 1- halogen light (optional)